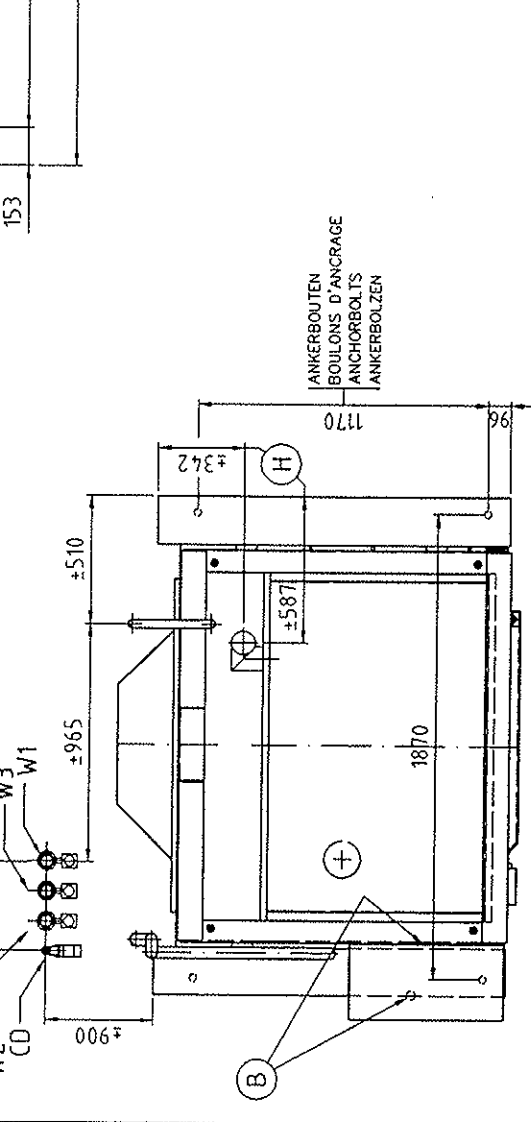


W1	KOUD HARD WATER EAU FROIDE DURE COLD HARD WATER KALTES HARTES WASSER	6/4"
W2	KOUD ZACHT WATER EAU FROIDE DOUCE COLD SOFT WATER KALTES WEICHES WASSER	6/4"
W3	WARM ZACHT WATER EAU CHAUDE DOUCE WARM SOFT WATER WARMES WEICHES WASSER	6/4"
A	STOOM VAPEUR STEAM DAMPF	1"
B	ELEKTRICITEIT ELECTRICITE ELECTRIC POWER ELEKTR-ANSCHLUSS	100 mm.
C	PERSLUCHT AIR COMPRIME COMPR. AIR PRESSLUFT	3/8"
CD	OVERLOOP RINÇAGE CONTINU COOLDOWN UEBERLAUF	1"
G	UITLAAT VIDANGE DRAIN ABLAUF	150 mm.
H	ONTLUCHTING DESAERATION VENTING ENTLUFTUNG	100 mm.



Machine type: 80GT N° 900

NAAM NAME	DATUM DATE
1/20	21-06-02
Gefekt/Drawn	WS
Magz/Check	

N.V. DHOOGHE INDUSTRIES  
B-9050 GENT Belgium

VERVANGT:  
REPLACES:

VERVANGEN DR:  
REPLACED BY:

MAATSCHETS  
CROQUIS COTE  
DIMENSIONED SKETCH  
MABSKIZZE

PLANNUMMER:  
M62736